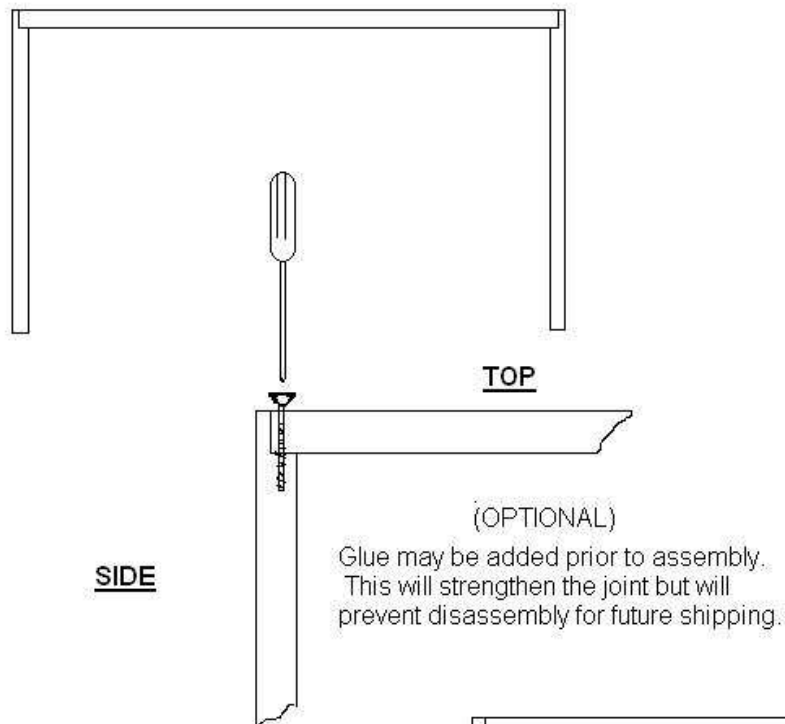


TVFrame Installation Instructions

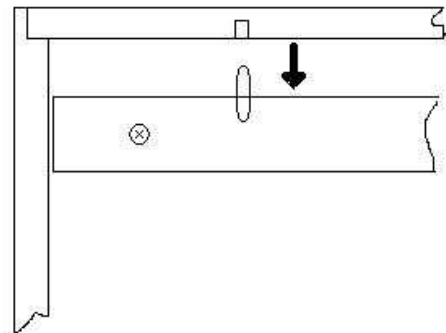
Assembly Instructions:

1. Lay TV frame on flat surface, face up.
2. Insert screws (4) from top **DO NOT OVERTIGHTEN SCREWS!** Use hand screwdriver only. (See detail)



Hanging Instructions:

1. Locate and mark point 1/2 inch above top of TV. This is the top of the mounting bracket.
2. Align top of bracket with mark centered over TV and level. (It may be easier to draw a level line 1/2 inch above TV.)
3. Mark screw holes, move bracket, insert anchors, replace bracket, insert screws.
4. Insert dowels in holes in top of bracket, and place TV frame on dowels. (See Detail)



WARNING: TV FRAME IS NOT INTENDED TO BE USED AS A SHELF. THE VENT HOLES ON TOP MUST REMAIN UNBLOCKED TO PREVENT OVERHEATING OF THE TV.

**Contact TVFrame.net thru our website or call:
Malone Cabinetry and Millwork
972.494.5090**